

M500

compact design, powerful system features

*PC-based network scale.
Ethernet or RF
connectivity.*

- ◆ **Advanced cassette printer**
- ◆ **Total custom label function**
- ◆ **Designed to reduce scale ownership cost by 25%**
- ◆ **Hanging scale**



Avery Berkel

retail and food service weighing solutions

compact design, powerful system features

SPECIFICATIONS

◆ Weighing Capacity

30 lb x 0.01 lb
50 lb x 0.01 lb

◆ Processor

32-bit Motorola Power-PC™ microprocessor.

◆ Program Memory

12 Mb 'Flash' memory, re-programmable via Ethernet network.

◆ Data Memory

Standard RAM: 1/2 MB static (battery backed)
Standard PLUs: Approximately 1,200
Optional RAM: 1 MB, 4 MB or 8 MB
Options PLUs: 6,000 to 10,000 PLUs

◆ Displays

Vendor and Customer: Custom design backlit LCD.
Four numeric sections and dot matrix panel
Contrast adjustment.

◆ Cassette Printer

Type of printer: Direct thermal
Cassette loading: 4.7" diameter roll. Label or continuous paper.
Print width: 2.3"
Label width: 2.3"
Print speed: 4"/sec
Label formats: Soft.
Paper Type: Richo 130 or equivalent. Please refer to 'Thermal Label/Receipt Material Specification' sheet.
Printhead: Special protection coating.

◆ Agency Approvals

Legal for Trade
NTEP Class III scale
USA COC# 00-057



◆ Keyboard

65 key keyboard, including
40 programmable keys
Standard: Flat, tactile keyboard
Options: Button-style rubber overlay.

◆ Interfaces

Two x 9-way D-type RS232 ports available on most models (DC power available)

Options include: Bar code scanner

◆ Inter Scale Communications

Ethernet 10 Base-T (10 Mb/sec. data transfer) with RJ45 connector. TCP/IP communications protocol. Network resilient backup

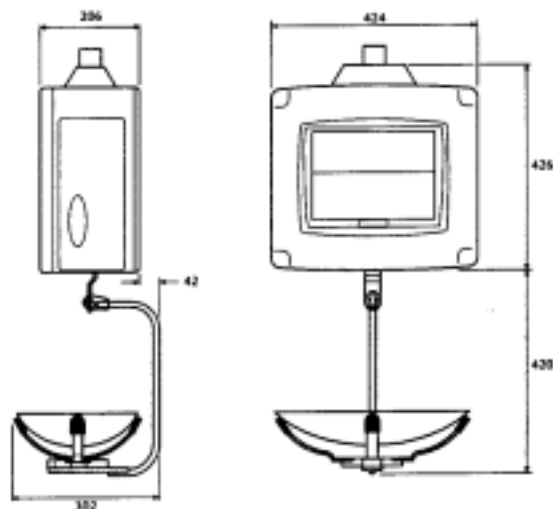
◆ Host Communications

Ethernet TCP/IP interface, compatible with Avery Berkel MX100/MX400/MX410 packages. Compatible with 802.11 spread spectrum, RF networks. CX scale interface and MP series scale interface

◆ Power

110 VAC @ 1.85 Amps

DIMENSIONS



retail and food service weighing solutions

Avery Berkel North America
3133 E 150 N
LaPorte, IN 46350

PH Toll-Free: 800-237-1886
PH: 219-325-9587

FAX Toll-Free: 800-237-2063
FAX: 219-325-9594

sales@AveryBerkelUSA.com
www.AveryBerkelUSA.com



As we continually strive to improve our products, specifications are necessarily subject to change without notice. Product complies with F.C.C..

3/02 m500_l.p65 PN 07029-0010 Printed in USA



A division of Weigh-Tronix, Inc.
1000 Armstrong Drive
Fairmont, MN 56031, USA